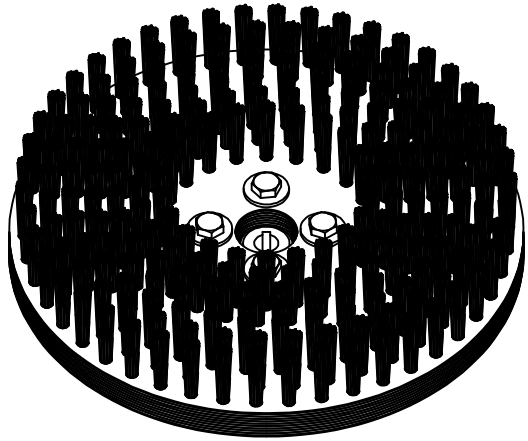
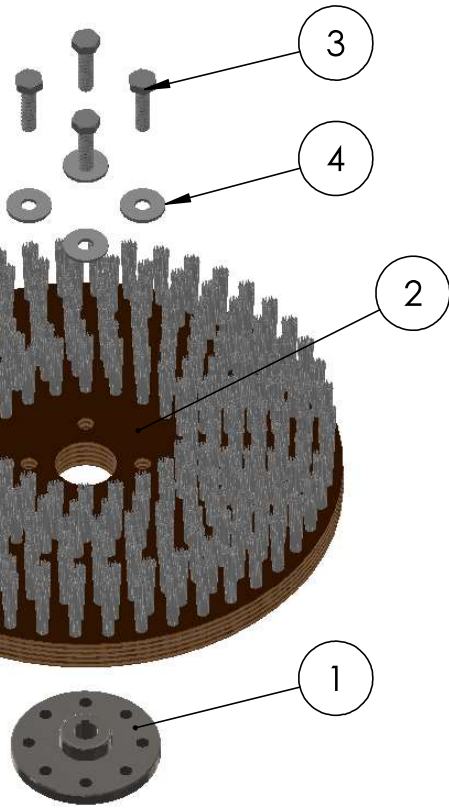
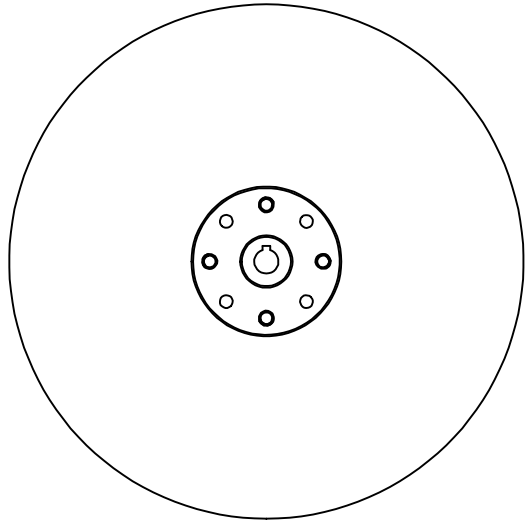


ITEM NO.	DESCRIPTION	QTY.
1	Βάση βιδώματος βουρτσας (motor coupler)	1
2	Βούρτσα Πολυεστέρα για μονόβουρτσα	1
3	18-8 Stainless Steel Hex Head Screw	4
4	18-8 Stainless Steel Oversized Washer	4



Copyright Diving Status. All rights reserved. By taking possession of the drawing the recipient recognizes and honours these rights. Neither the whole nor any part of this drawing may be used in any way for construction, fabrication, marketing or any other purpose not copied in any way nor made accessible to third parties without the previous written consent of Diving Status.

UNLESS OTHERWISE SPECIFIED:
 DIMENSIONS ARE IN MILLIMETERS
 SURFACE FINISH: Brushed
 TOLERANCES: According to ISO 2768-1
 LINEAR: mm ANGULAR: deg

FINISH:

DEBURR AND BREAK SHARP EDGES



DO NOT SCALE DRAWING

REVISION



DIVING STATUS

NAME	SIGNATURE	DATE	PRODUCT:
DRAWN Vassilakopoulos V.		06/05/2022	
CHK'D Paouris K.			
APP'VD Lixourgiotis I.			
MFG			
Q.A			

TITLE:
 Ένωση βούρτσας με μηχανισμό μονόβουρτσας

MATERIAL:	DWG NO. MonoBrush_Plywood_assy	A4
WEIGHT: 2240.88	SCALE: 1:5	SHEET 1 OF 1